

**ADCOM**<sup>®</sup>  
*details you can hear*

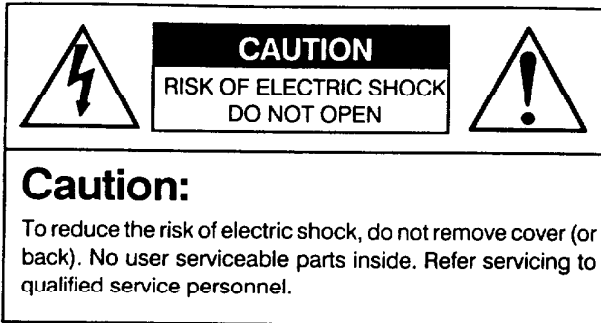
**GCD-700**

CD Player

**OWNER'S MANUAL**

## WARNING

To reduce the risk of fire or electric shock, do not expose this appliance to rain or moisture.



## EXPLANATION OF GRAPHIC SYMBOLS

The lightning flash with arrowhead symbol, within an equilateral triangle, is intended to alert the user to the presence of uninsulated "dangerous voltage" within the product's enclosure that may be of sufficient magnitude to constitute a risk of electric shock to persons.



The exclamation point within an equilateral triangle is intended to alert the user to the presence of important operating and maintenance (servicing) instructions in the literature accompanying the appliance.



## TABLE OF CONTENTS

Introduction.....	1
Features.....	1
Unpacking.....	2
Installing the GCD-700.....	2
Rear panel connections.....	2
Front panel controls.....	4
Programming the GCD-700.....	6

## NOTICE

This equipment generates and uses radio frequency energy and if not installed and used properly, that is, in strict accordance with the manufacturer's instructions, may cause interference to radio and television reception. It has been type tested and found to comply with the specifications in Subpart J of Part 15 of FCC Rules, which are designed to provide reasonable protection against such interference in a residential installation. However, there is no guarantee that interference will not occur in a particular installation. If this equipment does cause interference to radio or television reception, which can be determined by turning the equipment off and on, the user is encouraged to try to correct the interference by one or more of the following measures:

- reorient the receiving antenna
- relocate the CD player with respect to the receiver
- move the CD player away from the receiver
- plug the CD player into a different outlet so that the CD player and receiver are on different branch circuits.

If necessary, the user should consult the dealer or an experienced radio/television technician for additional suggestions. The user may find the following booklet prepared by the Federal Communications Commission helpful: "How to Identify and Resolve Radio - TV Interference Problems". This booklet is available from the US Government Printing Office, Washington, D.C., 20402, Stock No. 004-000-00345-4.

Caution — Use of controls or adjustments or performance of procedures other than those specified herein may result in hazardous radiation exposure.

Caution — To prevent electrical shock, do not use this polarized plug with an extension cord, receptacle, or other outlet unless the blades can be fully inserted to prevent blade exposure.

Attention — Pour prévenir les chocs électriques ne pas utiliser cette fiche polarisée avec un prolongateur, une prise de courant ou une autre sortie de courant, sauf si les lames peuvent être insérées à fond sans en laisser aucune partie à découvert.

Remote Control Transmitter RC-700CD.....	7
Changing the batteries in the RC-700CD.....	9
Caring for your GCD-700.....	9
Precautions.....	9
In case of difficulty.....	10
Servicing.....	11
Technical specifications.....	12

## INTRODUCTION

Please read the operating instructions for your new GCD-700 thoroughly before connecting or attempting to operate the unit. For your own benefit, follow all the instructions in this manual and save it for future reference.

Your ADCOM GCD-700 features some of the most advanced thinking in compact disc player design. Its superior performance is the result of a combined effort to incorporate the latest engineering advancements while relying on critical listening and performance tests to verify their benefits. We sincerely hope that you will value and enjoy the attention we have given to its design and construction.

## FEATURES

- Dual 20-bit Burr Brown digital-to-analog converters employing a 352.8 kHz eight-times oversampling filter.
- Low output impedance (100 ohms) for both fixed and variable outputs allowing both to be used simultaneously.
- Absolute polarity switch allows user selection of playback polarity.
- Dual power transformers.
- Play/exchange capability allows the user to change four discs while one is playing.
- Bi-directional carousel for faster search time between discs.
- Low noise, linear gain semiconductors are used in the audio stage for superior sound quality.
- Direct digital output increases recording flexibility and allows the use of an outboard D/A converter.
- Plays both three and five inch discs without the need for an adapter.
- Audible fast-forward and reverse scans.
- Capable of programming up to twenty tracks in any sequence from one or all discs loaded.
- Repeats individual track, individual disc, or all discs.
- Random play capability for all discs.
- Full featured 34 key remote control transmitter.

### IMPORTANT NOTICE

#### ADCOM PROTECTION PLAN (USA ONLY)

ADCOM offers the enclosed valuable Limited Warranty. Please read the details on the Warranty Card carefully to understand the extent of the protection offered by the Warranty, its reasonable limitations, and what you should do in order to obtain its benefits.

Be sure to verify that the serial number printed on the rear panel matches the serial number on the outer carton. If any number is altered or missing, or if the ADCOM Warranty Card is not included in the carton, you should notify us immediately in order to ensure that you have received a genuine ADCOM product which has not been opened, mishandled, or tampered with in any way.

## UNPACKING

Before your new GCD-700 left our factory, it was carefully inspected for physical imperfections and tested for all electrical parameters as a routine part of ADCOM's systematic quality control. This, along with full operational and mechanical testing, should ensure a product flawless in both appearance and performance. After you have unpacked the GCD-700, inspect it for physical damage. Save the shipping carton and all packing material as they are intended to reduce the possibility of transportation damage, should your CD player ever need to be shipped again. In the unlikely event damage has occurred, notify your dealer immediately and request the name of the carrier so a written claim to cover shipping damages can be initiated.

THE RIGHT TO A CLAIM AGAINST A PUBLIC CARRIER CAN BE FORFEITED IF THE CARRIER IS NOT NOTIFIED PROMPTLY IN WRITING AND IF THE SHIPPING CARTON AND PACKING MATERIALS ARE NOT AVAILABLE FOR INSPECTION BY THE CARRIER. SAVE ALL PACKING MATERIALS UNTIL THE CLAIM HAS BEEN SETTLED.

## INSTALLING THE GCD-700

Although the GCD-700 does not generate much heat, you will ensure its long-term, trouble-free operation if you keep it away from external sources of heat such as radiators or heat registers and provide reasonable ventilation. The GCD-700 should never be placed with other heat producing components in a cabinet or enclosure that lacks proper ventilation.

When placing the GCD-700 with other stereo components, do not stack more than thirty pounds of additional equipment on top of the CD player as damage may occur.

For use in professional installations, the GCD-700 may be mounted in a standard 19-inch rack using the optional RM-4 rack mount adapters available through your local ADCOM dealer.

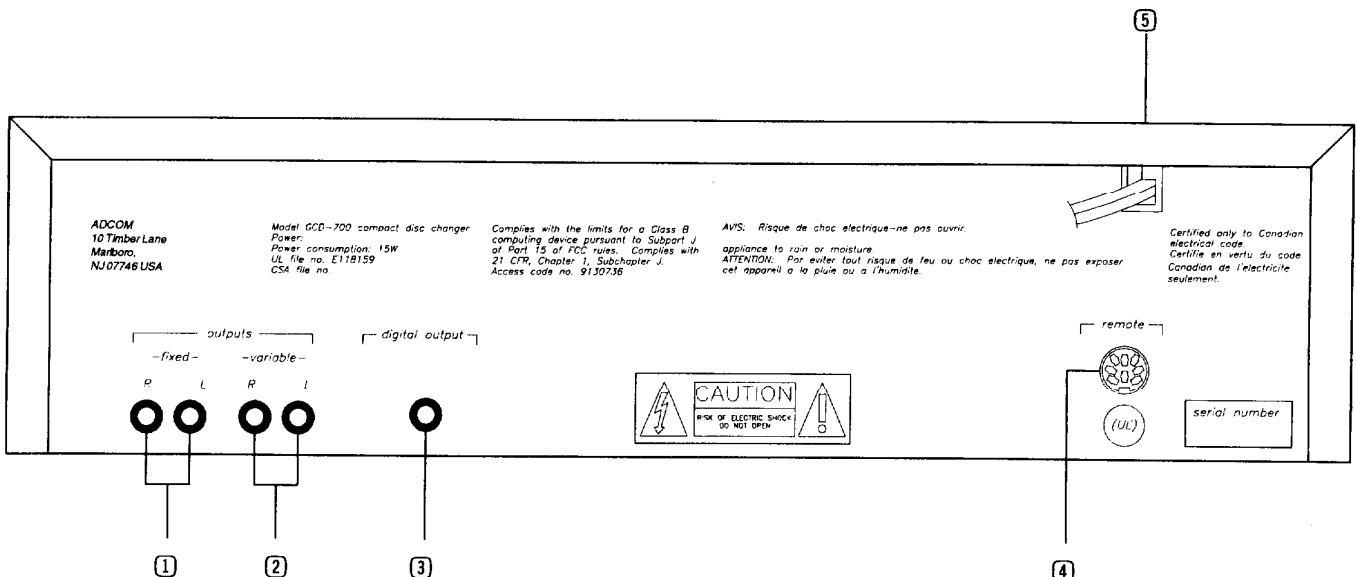
### NOTE

WHEN PLACING THE GCD-700 ON A SHELF OR IN A RACK ENSURE THERE IS ENOUGH ROOM FOR THE DRAWER TO FULLY OPEN. YOU WILL NEED AT LEAST NINE INCHES OF SPACE IN FRONT OF THE CD PLAYER TO GUARANTEE PROPER CLEARANCE.

## REAR PANEL CONNECTIONS

The performance of the GCD-700 depends greatly on the interconnection cables used for the player itself and its associated equipment. All the output signal connections should be made using only high quality, low-loss audio cables such as the one supplied with the GCD-700. The Fixed, Variable, and Digital outputs are clearly labeled on the rear panel, as well as their respective LEFT and RIGHT channels where applicable.

WHENEVER CONNECTIONS TO OR FROM THE GCD-700 ARE BEING MADE, BE SURE THAT THE GCD-700 AND ALL ASSOCIATED COMPONENTS ARE TURNED OFF.



REAR PANEL DIAGRAM

### **FIXED OUTPUT ①**

The decoded, analog audio signal is available at this output at a level compatible with most preamplifiers, tuner/preamps, and receivers. Simply connect one end of the supplied audio cable to the FIXED OUTPUT terminal of the GCD-700, left (L) and right (R), and the other end to the CD, AUX, or TAPE IN/PLAY input terminals, left (L) and right (R) of the preamplifier or receiver.

### **VARIABLE OUTPUT ②**

The decoded, analog audio signal is also available at this output, however, the level can be adjusted using the VOLUME control buttons on the RC-700CD remote control. The VARIABLE output will be most useful when using the CD player to drive an amplifier directly. It can also be used to drive a second system simultaneously in conjunction with the FIXED output. Furthermore, it is useful when you want the CD playback level to match those of other sources such as a tuner or cassette deck which may be considerably different. This can be accomplished by monitoring the different sources and making the necessary volume adjustments using the RC-700CD remote control.

To use the VARIABLE output, connect one end of a high quality RCA audio cable to the VARIABLE output terminal of the CD player left (L) and right (R), and the other end to the CD, AUX, TAPE IN/PLAY or main input terminals, left (L) and right (R) of the preamplifier, tuner/preamp, or amplifier.

#### **NOTE**

THE VOLUME CONTROL ON THE RC-700CD REMOTE CONTROL WILL HAVE NO EFFECT ON THE FIXED OR DIGITAL OUTPUTS OF THE GCD-700.

### **DIGITAL OUTPUT ③**

The digital output from the CD being played is available at this output. This signal is designed to be used with an external digital-to-analog converter, digital tape recorder, or other component with the necessary digital conversion circuits built in that accept the Sony/Phillips Digital Interface Format (S/PDIF) standard.

### **REMOTE ④**

The DIN jack connection is for use with other ADCOM components such as the GFB-800II Music Control Center. It allows the GCD-700 to be controlled using the remote control transmitter of the main ADCOM control center or preamplifier by use of a special cable. Please consult you local ADCOM dealer for more information.

### **AC POWER CORD ⑤**

This polarized AC line cord can be connected to the preamplifier's or receiver's auxiliary AC outlet (switched or unswitched) or directly into a standard wall outlet provided they supply a voltage consistent with the voltage requirements printed on the rear panel of the GCD-700.

#### **NOTE**

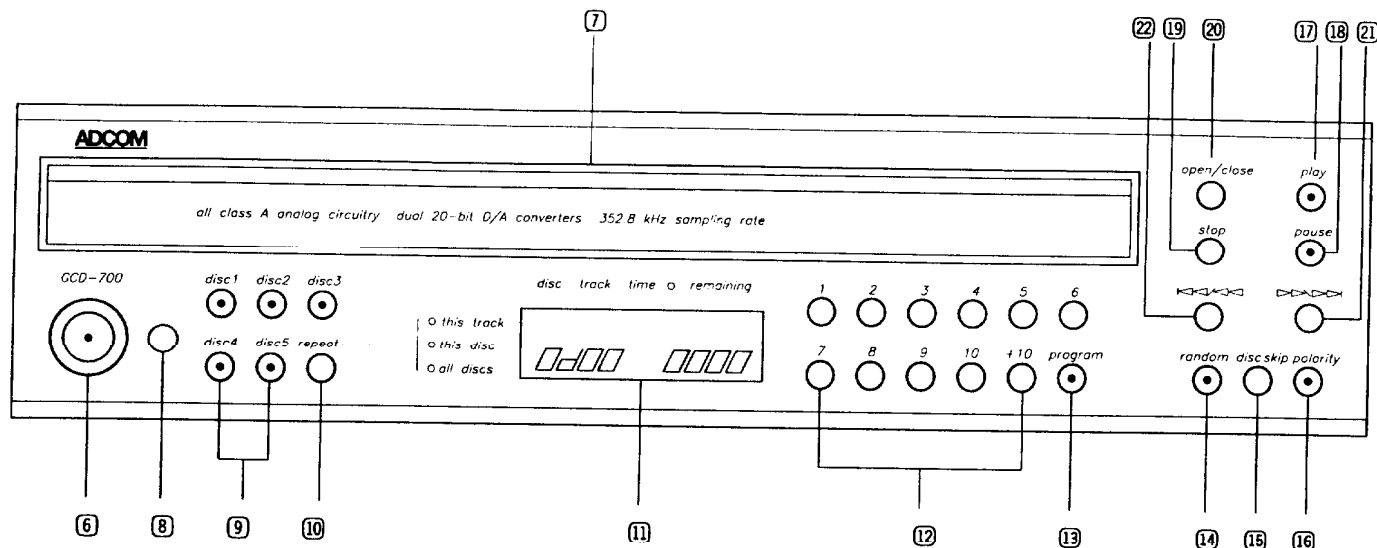
The GCD-700's power cord is supplied with a "polarized" AC plug as required by UL/CSA standards and the National Electrical Code. To minimize the risk of electrical shock and to ensure minimal hum from the system, do not defeat the polarity ensuring feature of the plug (one wide blade and one narrow blade). To prevent electrical shock, do not use this polarized plug with an extension cord or other outlet unless the blades can be fully inserted to prevent blade exposure.

#### **NOTE**

IF PLUGGED INTO A SWITCHED OUTLET WITH ONE OR MORE DISCS LOADED, THE GCD-700 WILL AUTOMATICALLY START PLAYING A DISC WHEN POWER TO THE SWITCHED OUTLET IS TURNED ON.

## FRONT PANEL CONTROLS

Please refer to the diagram of the front panel and the diagram of the Remote Control Transmitter RC-700CD on page 7 to identify the controls and their functions.



**FRONT PANEL DIAGRAM**

### POWER ⑥

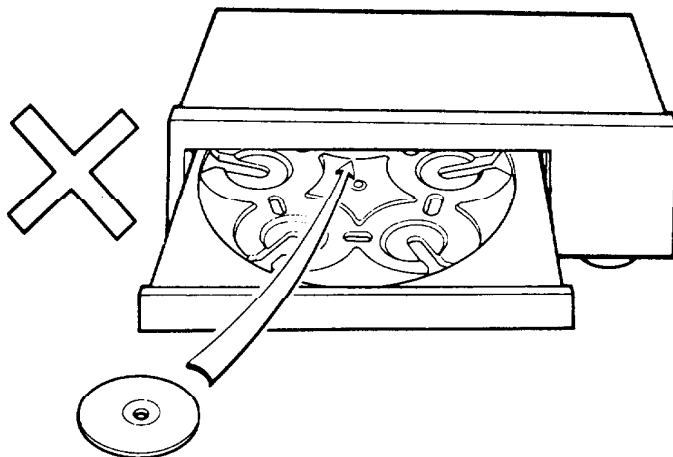
Turns the GCD-700 on and off. When initially powered up the display will show the last volume setting, for further information see the Remote Control Volume +/- section. The player will normally power up and begin playing the first track of the first disc unless the player was turned off while playing another disc, in which case it will begin playing the first track of that disc.

### DISC TRAY ⑦

Capable of holding five discs at one time, it will accept both five and three inch discs without an adapter. Use the open close switch to operate the drawer. **DO NOT ATTEMPT TO MANUALLY FORCE THE DRAWER CLOSED OR ROTATE THE TRAY BY HAND AS DAMAGE MAY RESULT.** Place each disc with the label side up in the numbered tray well, one disc per well. Also, do not attempt to load a disc in the rear-most portion of the drawer as shown below as the player and/or disc may be damaged. To load a disc in this position, rotate the drawer using the disc skip control which may be operated when the drawer is open provided a disc is not playing.

### CAUTION

**DO NOT ATTEMPT TO INSERT A DISC WHERE INDICATED BY THE ARROW AS DAMAGE TO THE INTERNAL MECHANISM AND/OR DISC MAY RESULT.**



## **REMOTE CONTROL SENSOR ⑧**

Receives the infrared signal from the RC-700CD Remote Control. Aim the remote control here when using it.

## **DISC 1 - DISC-5 ⑨**

These controls are used to select the disc that you want to play or program.

## **REPEAT ⑩**

This button is used to select the desired repeat mode. The various modes are indicated by the status lights. When selected **THIS TRACK** will repeat the song being played, **THIS DISC** will repeat all songs on that disc, and **ALL DISCS** will repeat all discs that are loaded in the player.

## **DISPLAY PANEL ⑪**

This shows the current disc number, track number, and elapsed playing time. It can also be used to display the playing time remaining, the volume level when selected by the remote control and programming information when applicable.

## **TRACK SELECTION (1-10) and (+10) ⑫**

These buttons are used to select the track that you want to listen to or program. To select track 7, simply press button 7. To select track 32, press the +10 button three times, then press button number 2.

## **PROGRAM ⑬**

This control is used to select tracks for programming. Please see the section on PROGRAMMING THE GCD-700 for further details.

## **RANDOM ⑭**

This button is used to start the random function. In this mode, the GCD-700 plays tracks in a completely random order.

### **To use the random play feature proceed as follows:**

- Press **RANDOM**. The LED in the button will glow indicating that you are in the random mode.
- Press **PLAY**. On the display panel, you will see the player begin to shuffle all discs and tracks currently loaded in the unit and then begin playing.
- To stop playing in the random mode, press **RANDOM** again. To stop playing completely, press **STOP**.

### **To select specific discs for random play, proceed as follows:**

- Press **RANDOM**.
- Select the discs that you want to play using the **DISC 1** through **DISC 5** buttons.
- Press **PLAY**. The GCD-700 will then begin playing back only those discs selected in Step 2. Again, to stop playing in the random mode, press **RANDOM** a second time.

### **To use the random feature for preset tracks, proceed as follows:**

- Program the tracks you want to listen to. See the section on PROGRAMMING THE GCD-700 for details.
- Press **RANDOM**.
- Press **PLAY**. You will only hear the preset tracks in random order. To stop play in the random mode, press **RANDOM** again.

### **NOTE**

THE PROGRAM FUNCTION CANNOT BE ACCESSED WHEN THE RANDOM FUNCTION IS ON.

### **DISC SKIP <sup>(15)</sup>**

This button is used to skip over to the next disc. It works with the drawer in the open or closed position and must be used when loading a disc in the rear-most position of the disc tray. This button will not operate when the drawer is open and a disc is playing or if a disc was playing when the drawer was opened.

### **CAUTION**

DO NOT ATTEMPT TO MANUALLY ROTATE THE DISC TRAY AS DAMAGE MAY RESULT.

### **POLARITY <sup>(16)</sup>**

This control is used to reverse the normal, positive-going output signal of the GCD-700 to a negative or inverted output signal. The LED in the center of the button will glow whenever the negative, inverted signal is selected. Whenever the GCD-700 is turned on, the positive polarity will automatically be selected, even if the reverse polarity had been selected when the player was turned off. This feature has the potential to improve the sound quality on certain discs depending on how they were originally recorded. Experimentation on your different discs will reveal which, if any, show this positive effect.

### **PLAY <sup>(17)</sup>**

Press this button to start playing a disc. If you select the track you want to listen to by using one of the TRACK SELECTION buttons, operation of this button is not necessary as the player will automatically go into the play mode and the LED in the center of this button will glow.

### **PAUSE <sup>(18)</sup>**

This button is used to temporarily stop the GCD-700 from playing a disc. To resume play of the disc at the precise point at which the PAUSE mode was engaged, press the PAUSE button again or press the PLAY button.

### **STOP <sup>(19)</sup>**

Press this button to stop play.

### **OPEN/CLOSE <sup>(20)</sup>**

This control is used to open or close the drawer.

### **CAUTION**

DO NOT ATTEMPT TO CLOSE THE DRAWER MANUALLY BY PUSHING IT IN AS DAMAGE MAY RESULT.

### **FORWARD SEARCH <sup>(21)</sup>**

Press this button once to skip to the next track on the disc, repeat this procedure to continue skipping tracks. Press and hold this button to fast forward within a track to locate a desired portion of a song.

### **REVERSE SEARCH <sup>(22)</sup>**

This button performs the same function as the FORWARD SEARCH control except it works in the reverse direction. For example, pressing this button once will bring the player back to the beginning of the track being played.

## **PROGRAMMING THE GCD-700**

By following the steps below, you can program the tracks that you want to listen to in the order that you select. The maximum number of tracks that can be programmed is twenty. Programmed tracks can be chosen from one or more discs.

**To program the GCD-700, proceed as follows:**

- If you have not already done so, load the discs in the disc tray.
- Press the PROGRAM button, the LED in the button will glow indicating that you are in the program mode and the GCD-700 is ready to accept program selections. If the unit is already playing a track or in the pause mode, the unit will automatically program that track as the first selection.



- Select the disc you want to want to program and listen to by using DISC 1 though DISC 5 buttons.
- Press the TRACK SELECTION button that corresponds to the track that you want to program and listen to.
- Repeat steps 3 and 4 above as required until you have programmed all the desired tracks.
- Press PLAY to start listening to the selections you have programmed. If you now use the FORWARD or REVERSE SEARCH controls, the player will advance or skip backwards through only the programmed tracks.

**NOTE**  
YOU CANNOT SELECT THE PROGRAM FUNCTION IF THE RANDOM FUNCTION IS ENGAGED.

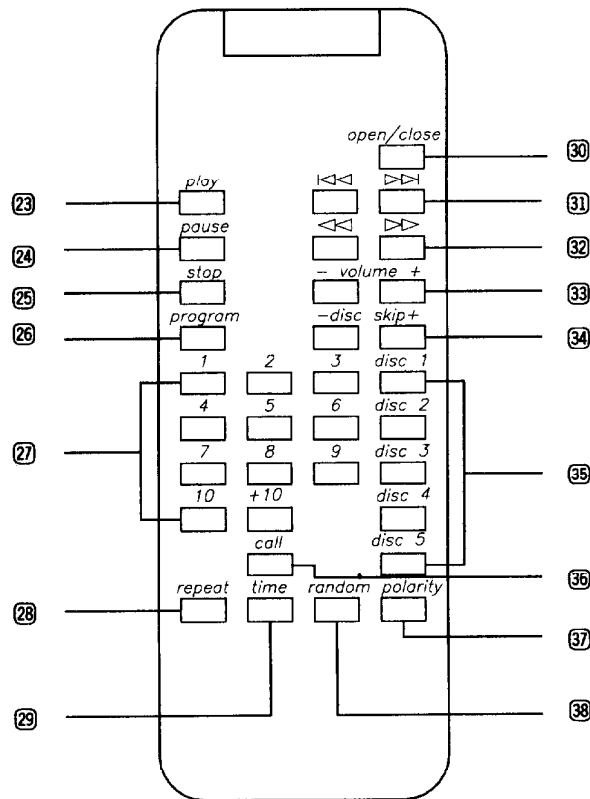
In case you forget which tracks have been programmed in the GCD-700's memory, you can browse through the selections that have been made using the remote control that was supplied with your player.

**To browse through the memory, proceed as follows:**

- Using the remote control, press the CALL button. Each time the button is depressed the display will show the track and disc numbers stored in memory.
- When you are finished playing in the program mode and want to switch back to normal play, press the PROGRAM button again or you can press the OPEN/CLOSE button. The LED in the center of the PROGRAM button will stop glowing, indicating the player is no longer in the program mode.

## REMOTE CONTROL TRANSMITTER RC-700CD

The controls on the remote control unit duplicate almost all the functions on the front panel of the GCD-700 and provide additional controls not accessible from the front panel. Please refer to the diagram below of the RC-700CD to familiarize yourself with its features. Be certain fresh batteries are installed in the unit before attempting to operate it.



### NOTE

THE NORMAL RANGE OF THE REMOTE CONTROL IS 25 FEET OR APPROXIMATELY 8 METERS AND THE ANGLE OF OPERATION IS 30 DEGREES FROM THE CENTER OF THE REMOTE SENSOR WINDOW LOCATED ON THE FRONT PANEL OF THE UNIT.

### CAUTION

DO NOT PRESS THE BUTTONS ON THE REMOTE CONTROL AND THE CONTROLS ON THE FRONT PANEL AT THE SAME TIME. DOING THIS COULD CAUSE A MALFUNCTION.

### PLAY <sup>(23)</sup>

Press this button to start playing a disc.

### PAUSE <sup>(24)</sup>

Press this button to temporarily stop playing a disc. Press the PAUSE button again or press PLAY to resume playback.

### STOP <sup>(25)</sup>

Press this button to stop play back of a disc.

### PROGRAM <sup>(26)</sup>

Press this button to program a selection in the memory. See the section on PROGRAMMING THE GCD-700 for further details on this feature.

### TRACK SELECTION <sup>(27)</sup>

Press this button repeatedly to select the track that you want to play or program. Use the +10 button when selecting tracks between 11 and 99. See the section on FRONT PANEL CONTROLS for further details.

### REPEAT <sup>(28)</sup>

Press this button repeatedly until the desired mode is selected as indicated by the status LED. When selected, this feature allows you to repeat the track, disc, or all discs as desired.

### TIME <sup>(29)</sup>

Press this button once to change the display to show time remaining on the track being played. Press a second time to display the total time remaining on the disc, a "d" will be displayed signifying disc time. When this button is pressed, the TIME REMAINING LED will glow on the front panel and will stop glowing when the elapsed time is shown.

### OPEN/CLOSE <sup>(30)</sup>

Press this button to open or close the drawer. This button will also erase any tracks programmed in the memory.

### AUTOMATIC SEARCH FORWARD/REVERSE <sup>(31)</sup>

Press this button to advance or skip backwards by track through each disc.

### MANUAL SEARCH FORWARD/REVERSE <sup>(32)</sup>

Press this button in the appropriate direction to scan through a track at a rapid speed.

### VOLUME +/- <sup>(33)</sup>

Press this button to control the level of the variable output. When pressed, the display will show the volume level selected. This level can be adjusted between a maximum of 0 and a minimum of -50 in fifty individual steps. Each step will change the output level by approximately 1.5 decibels.

**DISC SKIP +/-** ③④

Press this button to skip over to the next disc in either direction. This control can be used with the drawer in the open position when loading a disc in the rear-most position.

**DISC 1 - DISC 5** ③⑤

Press the appropriate button to select the disc that you want to play or program.

**CALL** ③⑥

Press this button to browse through the tracks that have been programmed into the GCD-700's memory. See the section on PROGRAMMING THE GCD-700 for further details.

**POLARITY** ③⑦

Press this button to change the output polarity of the player. Please refer to the section on FRONT PANEL CONTROLS for more information about this feature.

**RANDOM** ③⑧

Press this button to start the random function. Please see the section on FRONT PANEL CONTROLS for more information.

## CHANGING THE BATTERIES IN THE RC-700CD REMOTE CONTROL

- Remove the cover on the back of the remote control.
- Insert two fresh AA, 1.5 volt (R6P) batteries. Follow the polarity indications on the inside of the case for correct orientation.
- Replace the cover on the back panel of the remote control.

**NOTE**

THE REMOTE CONTROL UNIT WILL NOT FUNCTION PROPERLY UNLESS FRESH BATTERIES OF THE PROPER TYPE ARE INSTALLED. TO PREVENT POSSIBLE DAMAGE CAUSED BY LEAKING BATTERIES, REMOVE THE BATTERIES FROM THE REMOTE WHENEVER IT WILL NOT BE USED FOR AN EXTENDED PERIOD OF TIME.

## CARING FOR YOUR GCD-700

Great care has been taken by ADCOM to ensure that your new CD player is as flawless in appearance as it is electronically. The front panel is a heavy gauge, high grade aluminum extrusion carefully finished and anodized for durability. The chassis, top cover and rear panel are heavy gauge steel that has been powder coated and baked to ensure a lasting finish. If the front panel, top or sides become dusty or finger printed, they can be cleaned with a soft lint free cloth, slightly dampened with a very mild detergent solution or glass cleaner.

**WARNING**

DO NOT SPRAY OR POUR LIQUIDS OF ANY KIND ON THE SURFACES OF THE GCD-700.

## PRECAUTIONS

Be sure to connect the AC power cord only to a correct source of power. The operating voltage and frequency for which the unit was manufactured is printed on the rear panel of the player.

Do not handle a compact disc, operate the GCD-700, or unplug it from its source of power when your hands are wet.

Do not attempt to open the unit or remove its cover. There are no user serviceable parts inside the player and there is the potential of shock and radiation hazards within the unit.

Do not place any objects other than compact discs in or on the CD drawer, or permit objects to fall inside the player as damage may result.

Do not move or tilt the player when discs are loaded in the drawer as damage to the player and/or discs may result.

Make sure the player is turned off, and remove the power cord from its AC power source if you plan to leave the system unattended for long periods of time.

Do not use or store the GCD-700 on or near vibrating surfaces, sources of heat, in extremely cold areas, in areas of high humidity in dusty or smoky environments, or in poorly ventilated areas as the proper operation of the player may be adversely affected.

Try to avoid conditions which will cause condensation to form on the optical system of the player which will impair or prevent proper playback. This includes bringing the player into a warm house when it is cold outside or storage in areas where the temperature will cycle between the extremes. In the event condensation occurs, wait at least thirty minutes before use.

If the GCD-700 is operated while listening to an AM or FM broadcast, there may be the unlikely possibility of noise or interference being radiated into the tuner degrading its reception. If this occurs, please turn off the CD player.

If the CD player or its interconnecting cables are placed near a television or other component, a humming sound may develop. In the unlikely event this happens, please relocate the player or reroute its cables.

## **IN CASE OF DIFFICULTY**

### **Player fails to play a loaded disc:**

- Check that the disc is loaded properly, label side up.
- Make sure the disc surface is clean.
- Check the disc for scratches or other damage. Try another disc.
- Be certain that there is no condensation on the optical elements of the player as would be the case if brought into a warm house from a cold environment. In the event condensation has occurred, wait at least thirty minutes before use.
- If playing a three inch disc, make sure it is seated properly in its depressed, center tray position.

### **Programming cannot be initiated:**

- Be certain that a disc is loaded in the drawer.
- Check that the disc is loaded label side up.
- Make sure that the disc surface is clean and not scratched or damaged in any way.
- If using the remote control, make sure the transmitter's signal is not blocked and that it can reach the sensor.
- Check that the remote control batteries are not weak.
- Make sure the RANDOM function is not in the on position.

### **Sound level drops suddenly or a clicking noise is heard:**

- Make sure the disc surface is clean and not scratched or warped. Try another disc.
- Double check the surface the player is seated on to ensure vibrations are not reaching the unit and that it sits firmly on the surface. Try placing the player on a different surface if problems persist.
- When making track selections, searching, or if the player is subjected to a strong impact, the disc's rotational speed changes greatly and may cause a small noise to be emitted from the player. This is not a malfunction and does not indicate a problem.

**CD player does not play through the stereo system:**

- Make sure the correct output of the player, FIXED, VARIABLE, or DIGITAL is connected to the proper input of the system.
- Be certain the selector switch on the preamplifier or receiver is set to the input which the GCD-700 is connected to.
- If using the VARIABLE output, make sure the level is not at its lowest setting.

**Player does not operate when the remote is used:**

- Make sure the batteries in the RC-700CD remote control are not dead.
- Be certain that the remote control unit is within operating range of the CD player. This is typically 25 feet or approximately 8 meters in length and the acceptable angle of operation is normally 30 degrees off axis from the sensor window.

## **SERVICING**

ADCOM has a Technical Service Department to answer questions pertinent to the installation and operation of your unit. In the event of difficulty, please contact us for prompt advice. If your problem cannot be resolved through our combined efforts, we may refer you to an authorized repair agency, or authorize return of the unit to our factory. To aid us in directing you to a convenient service center, it would be helpful if you indicate which major city is accessible to your home.

Please address mail inquiries to:  
ADCOM Service Corporation  
10 Timber Lane  
Marlboro, NJ 07746  
USA

Phone or fax inquiries to:  
Telephone: 732-683-2356  
Fax: 732-683-9792  
Monday through Friday  
9:00 AM to 5:00 PM EST

For fax inquires, please include a return fax number for the reply.

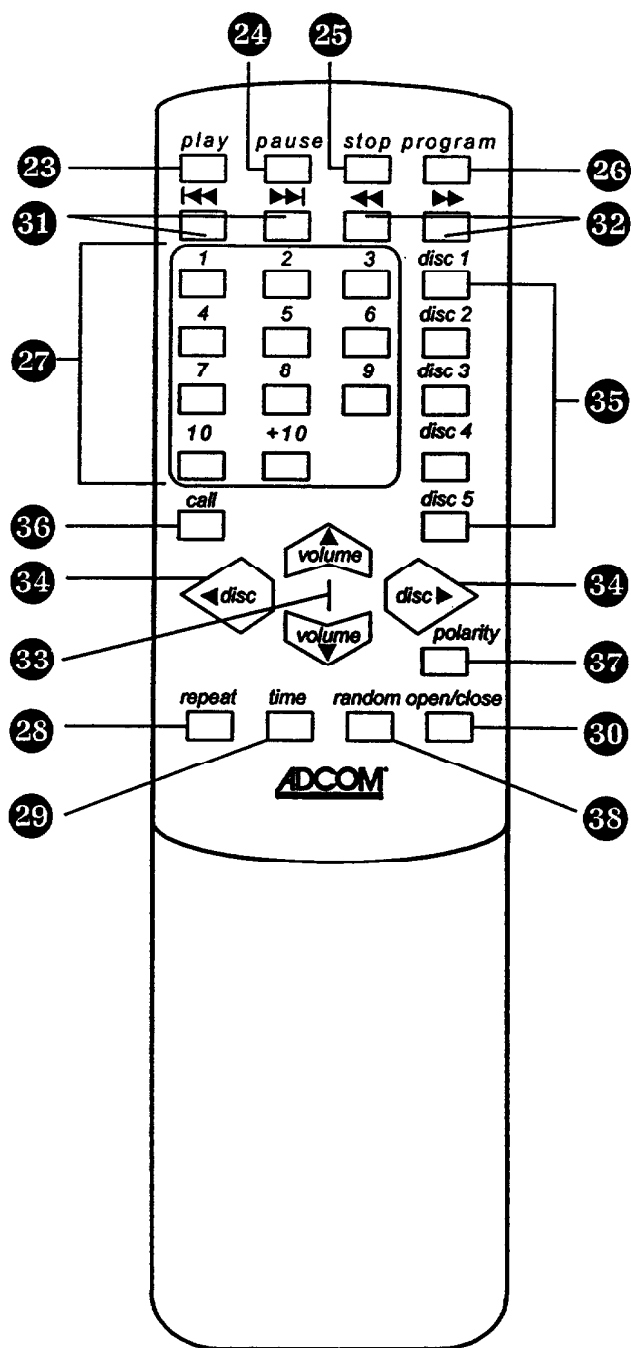
When calling or writing about your GCD-700, be sure to note and refer to its model and serial numbers as well as the date of purchase and the dealer from whom it was purchased. In the event the unit must be returned to our factory for service, you will be instructed on the proper procedure when you call or write for a Return Authorization. **UNDER NO CIRCUMSTANCES SHOULD YOUR UNIT BE SHIPPED TO OUR FACTORY WITHOUT PRIOR AUTHORIZATION, OR PACKED IN OTHER THAN ITS ORIGINAL CARTON AND FILLERS.**

If the original shipping carton and its fillers have been lost, discarded, or damaged, a duplicate carton may be obtained from our Service Department for a nominal charge. If necessary, inquire about a box when requesting a Return Authorization Number.

Always ship PREPAID VIA UNITED PARCEL SERVICE (UPS) OR OTHER APPROVED CARRIER. DO NOT SHIP VIA PARCEL POST, since the packing was not designed to withstand rough Parcel Post handling. **FREIGHT COLLECT SHIPMENTS CAN NOT BE ACCEPTED UNDER ANY CIRCUMSTANCES.**

## Product update from ADCOM...

Your GCD-700 has a new, more ergonomically designed remote control. All features are retained with improved layout. Please refer to this sheet to identify button locations.



# GCD-700 TECHNICAL SPECIFICATIONS

## ELECTRICAL

FREQUENCY RESPONSE (+0, -0.5 dB):.....	20 Hz - 20 kHz
SIGNAL TO NOISE RATIO ("A" Weighted):.....	≥ 100 dB
DYNAMIC RANGE:.....	≥ 96 dB
THD (20 Hz - 20 kHz):.....	0.005%
CHANNEL SEPARATION (1 kHz):.....	≥ 100 dB
WOW AND FLUTTER:.....	Below Measurable Limits
<b>OUTPUT IMPEDANCE:</b>	
Fixed.....	100 Ohms
Variable.....	100 Ohms
Digital.....	75 Ohms
<b>OUTPUT LEVEL:</b>	
Fixed.....	2.5 Volts RMS
Variable.....	0 to 2.5 Volts RMS
Digital.....	0.5 Volts Peak-to-Peak
DIGITAL FORMAT:.....	S/PDIF
LASER:.....	GaAlAs
SAMPLING RATE:.....	352.8 kHz
D/A CONVERSION:.....	Dual Burr Brown 20-Bit Linear

## GENERAL

POWER (available in 230V by special order):.....	115VAC-50/60Hz
CHASSIS DIMENSIONS:.....	3-7/8" (98mm) x 17" (432mm) x 15-1/4" (387mm)
MAXIMUM DIMENSIONS:.....	4-3/16" (107mm) x 17" (432mm) x 16-1/4" (410mm)
WEIGHT:.....	15 lbs. (6.8kg)
WEIGHT, PACKED:.....	18-1/2 lbs. (8.4kg)
ACCESSORIES:.....	AA, 1.5 Volt (R6P) Batteries Remote Control Transmitter RC-700CD Low-loss Stereo Audio Cable

Specifications are subject to change without notice.



10 Timber Lane  
Marlboro, NJ 07746 USA

Tel: 732-683-2356 Fax: 732-683-9790  
Web: [www.adcom.com](http://www.adcom.com)

DM5093

Printed in USA